



Sidekiq™ Z2

No more wasting time integrating the hardware: just bring your application, power source, and antenna.

THE WORLD'S SMALLEST WIDEBAND RF TRANSCEIVER WITH A LINUX COMPUTER

OVERVIEW

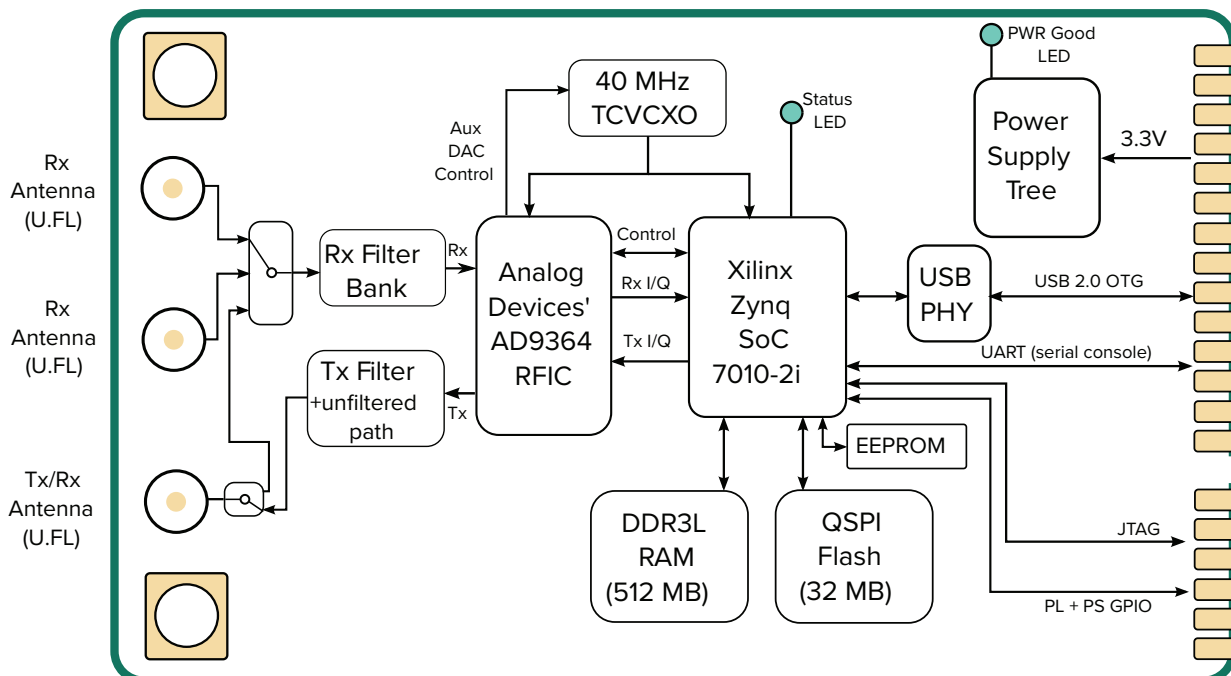
The Sidekiq™ Z2 is the industry's smallest complete SDR platform, integrating an RF front end, AD9364 RF transceiver, FPGA, and Linux computer into the Mini PCIe form factor. The Z2 makes it easy to add RF capability to your mission.

Consuming less than 2W of power and weighing only 8 grams, the Sidekiq Z2 is ideal for SWaP constrained applications such as UAS payloads, remote and portable platforms, embedded tactical communications, and small form factor RF sensing.

KEY HIGHLIGHTS

- RF Tuning Range: 70 MHz to 6 GHz
- Boot Time: < 2 seconds
- Form Factor: Mini PCIe card (30 mm x 51 mm x 5 mm)
- RAM: 512 MB of DDR3L
- Power Consumption: Under 2W (typical use)
- CPU: Dual-core ARM Cortex A9

BLOCK DIAGRAM



RF SPECIFICATIONS

NUMBER OF RECEIVERS

- One

NUMBER OF TRANSMITTERS

- One

RF COVERAGE

- 45MHz to 6GHz

RF CHANNEL BANDWIDTH

- Up to 50MHz per channel

A/D NUMBER OF BITS

- 12

GENERAL SPECIFICATIONS

ENVIRONMENTAL OPTIONS

- Component Temperature Range:
-40 C to +85 C

FORM FACTOR SPECIFICATIONS

DIMENSIONS

- 30mm x 51mm x 5mm

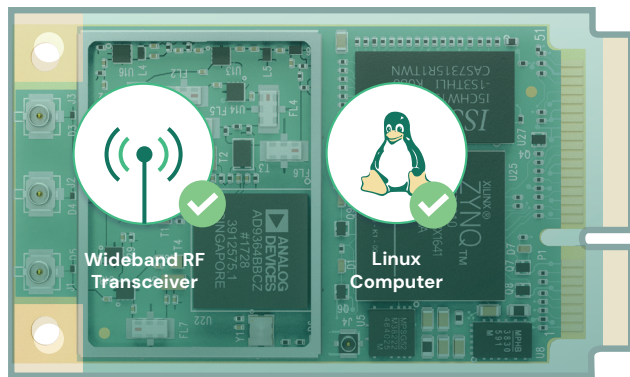
WEIGHT

- 8 grams

DIGITAL SPECIFICATIONS

FPGA

- AMD Zynq XC7Z010-2I System-on-Chip



Sidekiq Z2



Your
Application

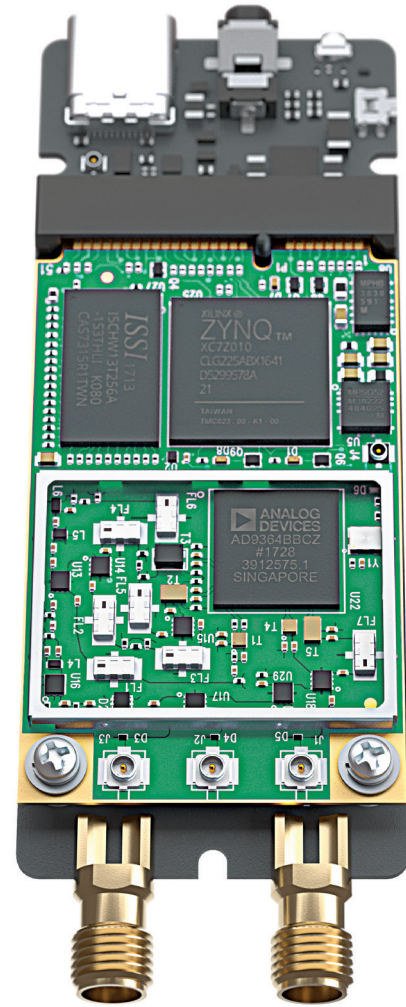
DEVELOPER FOCUSED / THE EVALUATION KIT (EVK) MAKES PROTOTYPING EASY

- Open-source IIO reference design supported by Analog Devices
- Commercial Platform Development Kit supported by Epiq Solutions (optional)

Radically simplify and shorten your RF product development cycle.

Evaluation and development kit options let you focus on building your application rather than integrating hardware and optimizing RF

- Two Sidekiq Z2 cards + simple carrier cards



Sidekiq Z2 in simple carrier card

Specifications subject to change without notice.

Epiq Solutions is a business dedicated to advancing RF technology through products designed and manufactured in the U.S.A.

Epiq Solutions exports its products strictly in accordance with all US Export Control laws and regulations which shall apply to any purchase or order.

